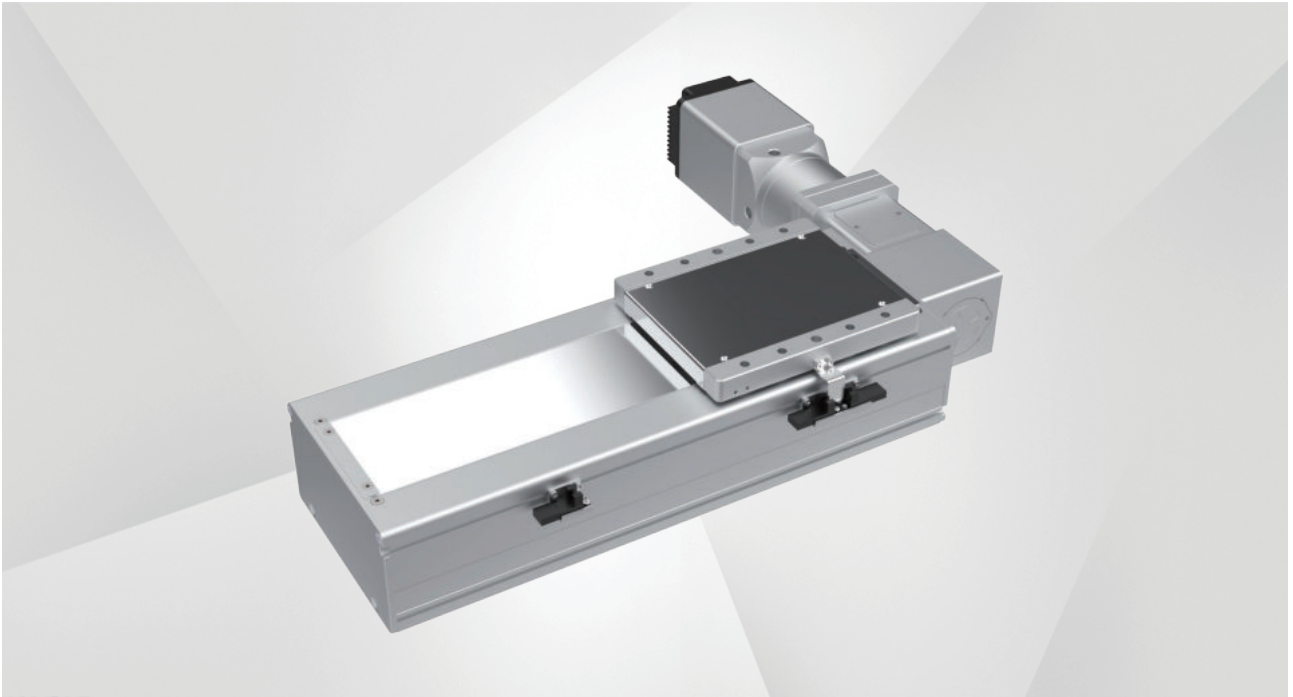
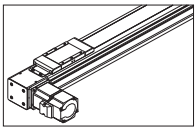


# 同步带模组 (全密封) -HBH17

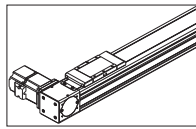
Timing Belt Module (fully sealed)



## 电机安装方式 How the Motor is Installed



电机左折-L  
Motor left side



电机右折-R  
Motor right side

## 型号表示方式 Guide for Model Selection

# Z-Mod-HBH17-100-100-L-75SEB-N3-R80-FXXX-01

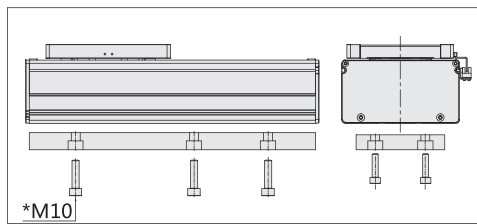
|                    |   |                            |                                     |                                     |  |   |                                  |  |
|--------------------|---|----------------------------|-------------------------------------|-------------------------------------|--|---|----------------------------------|--|
| HBH17              | 100   | 100                        | L                                   | 75SE                                | B  | N3  | R80                              | FXXX-01  |
| 本体型号<br>Base Model | 导程<br>Lead<br>100: 100mm<br><br>*导程:电机旋转一圈,<br>滑台移动的直线距离。 | 行程<br>Stroke<br>100~4500mm | 电机方式<br>Motor way<br>L: 左折<br>R: 右折 | 电机功率<br>Motor power<br>75SE: 750W伺服 | 刹车<br>Brakes<br>无: 无电机<br>B: 一体式电机 (带刹车)<br>M: 一体式电机 | 感应开关数量<br>Sensor quantity<br>N3: 3个NPN传感器<br>N2: 2个NPN传感器<br>N1: 1个NPN传感器<br>P3: 3个PNP传感器<br>P2: 2个PNP传感器<br>P1: 1个PNP传感器<br>N: 无 | 减速器<br>Reducer<br>R80: 适配80减速器法兰 | 特殊定制<br>Customer number<br>F: 非标定制选项, 若为标准品, 则为空<br>XXX: 客户标号<br>01: 版本号 |

## 基本参数 Parameters

|                             |                       |      |      |      |      |      |
|-----------------------------|-----------------------|------|------|------|------|------|
| 电机转速 Motor speed(rpm/min)   | 500                   | 1000 | 1500 | 2000 | 2500 | 3000 |
| 行星减速机 (减速比) Gear reducer    | 1/3                   |      |      |      |      |      |
| 最高速度 Maximum payload(mm/s)  | 280                   | 560  | 840  | 1120 | 1400 | 1680 |
| 最大负载 Rated load(kg)(水平使用)   | 80                    | 80   | 80   | 71   | 55   | 45   |
| 重复位置精度 Repeatability(mm)    | ±0.05                 |      |      |      |      |      |
| *导程 Lead(mm)                | 100(配1/3减速机后导程为33.33) |      |      |      |      |      |
| 额定推力 Rated thrust(N)        | 400                   |      |      |      |      |      |
| 行程范围 Range of travel(mm)    | 100-4500MM/50行程递增     |      |      |      |      |      |
| 电机功率 Motor output(W)        | 750                   |      |      |      |      |      |
| 皮带宽度 Synchro band width(mm) | 35                    |      |      |      |      |      |
| 导轨规格 Guide specification    | W20XH15.5-2支          |      |      |      |      |      |
| 感应器 Sensor                  | EE-SX674(NPN)         |      |      |      |      |      |

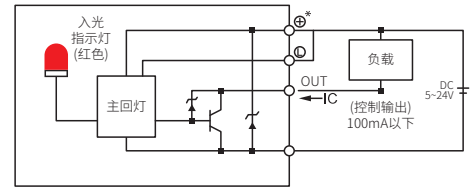
- \*导程：电机旋转一圈，滑台移动的直线距离。
- \*Guide: the rotation of the motor and the straight distance of the sliding table.
- \*电机加速度时间为0.4S。
- \*Motor speed is 0.4S.
- \*如有特殊定制请先与技术人员联系。
- If you have special customization, please contact a technician first.

## 安装示意图 Installation Diagram

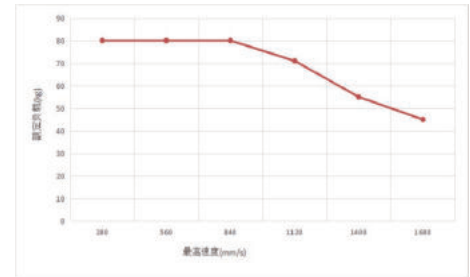


安装方式一：安装螺丝从下往上安装。  
Installation method 1: The screws are installed from bottom to bottom.

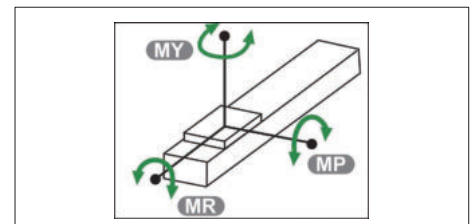
## 传感器接线图 Sensor Wiring Diagram



## 负载与速度 Load and Speed

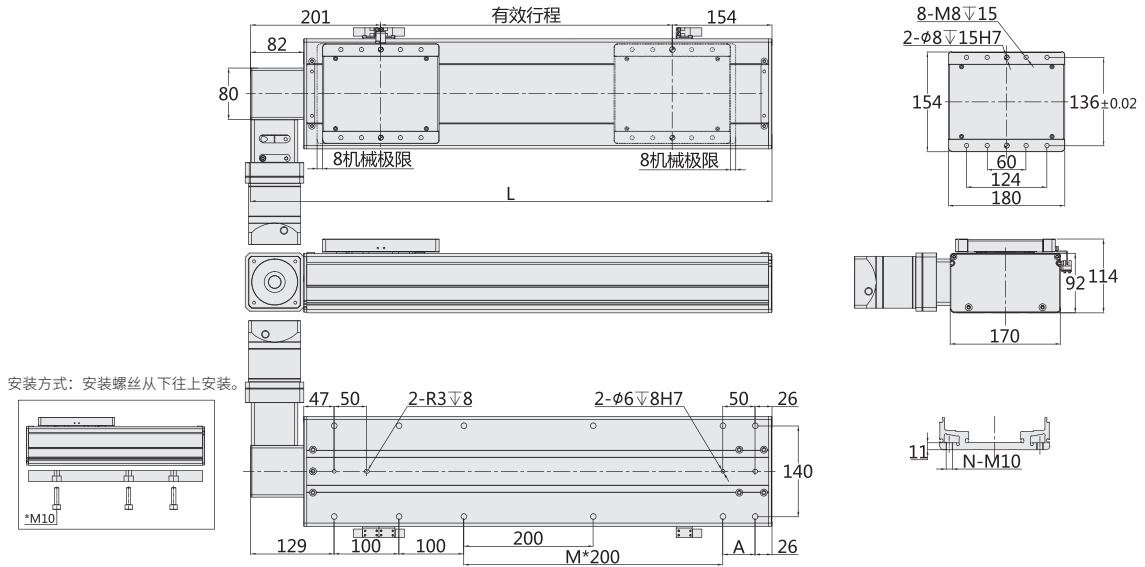


## 静态力矩表 Static Moment



|    |            |
|----|------------|
| MY | 1032 (N.M) |
| MP | 1034 (N.M) |
| MR | 908 (N.M)  |

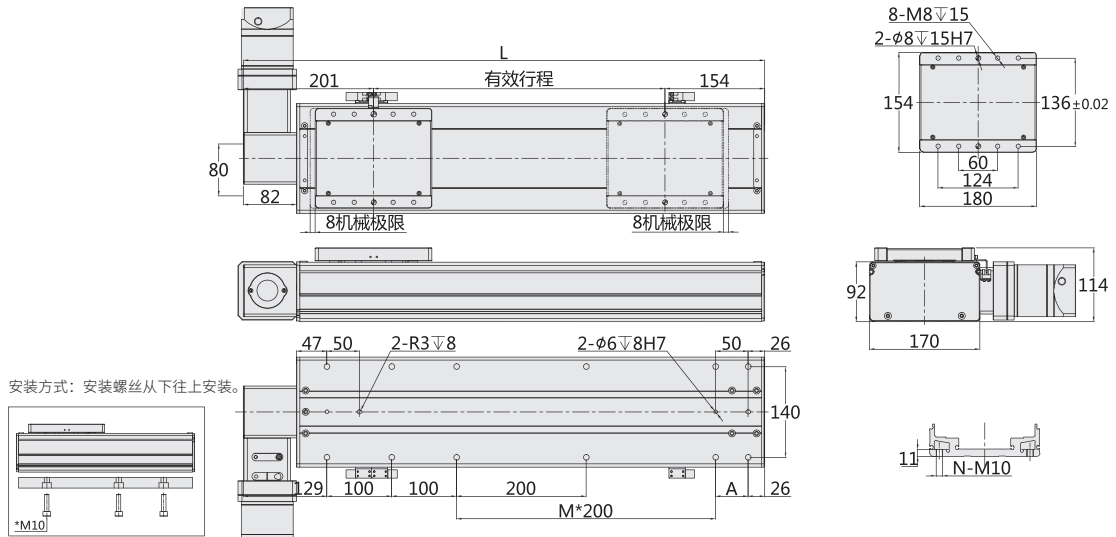
## 电机左折-L Motor Left Side



|      |      |      |      |      |      |      |      |      |      |      |      |      |      |      |      |      |      |      |      |      |      |      |      |      |      |      |      |      |
|------|------|------|------|------|------|------|------|------|------|------|------|------|------|------|------|------|------|------|------|------|------|------|------|------|------|------|------|------|
| 有效行程 | 300  | 350  | 400  | 450  | 500  | 550  | 600  | 650  | 700  | 750  | 800  | 850  | 900  | 950  | 1000 | 1050 | 1100 | 1150 | 1200 | 1250 | 1300 | 1350 | 1400 | 1450 | 1500 | 1550 | 1600 | 1650 |
| L    | 655  | 705  | 755  | 805  | 855  | 905  | 955  | 1005 | 1055 | 1105 | 1155 | 1205 | 1255 | 1305 | 1355 | 1405 | 1455 | 1505 | 1555 | 1605 | 1655 | 1705 | 1755 | 1805 | 1855 | 1905 | 1955 | 2005 |
| A    | 100  | 150  | 200  | 50   | 100  | 150  | 200  | 50   | 100  | 150  | 200  | 50   | 100  | 150  | 200  | 50   | 100  | 150  | 200  | 50   | 100  | 150  | 200  | 50   | 100  | 150  | 200  | 50   |
| M    | 1    | 1    | 1    | 2    | 2    | 2    | 2    | 3    | 3    | 3    | 3    | 4    | 4    | 4    | 4    | 5    | 5    | 5    | 5    | 6    | 6    | 6    | 6    | 7    | 7    | 7    | 7    | 8    |
| N    | 10   | 10   | 10   | 12   | 12   | 12   | 12   | 14   | 14   | 14   | 14   | 16   | 16   | 16   | 16   | 18   | 18   | 18   | 18   | 20   | 20   | 20   | 20   | 22   | 22   | 22   | 22   | 24   |
| KG   | 16.1 | 16.9 | 17.7 | 18.5 | 19.3 | 20.1 | 20.9 | 21.7 | 22.5 | 23.3 | 24.1 | 24.9 | 25.7 | 26.5 | 27.3 | 28.1 | 28.9 | 29.7 | 30.5 | 31.3 | 32.1 | 32.9 | 33.7 | 34.5 | 35.3 | 36.1 | 36.9 | 37.7 |
| 有效行程 | 1700 | 1750 | 1800 | 1850 | 1900 | 1950 | 2000 | 2100 | 2200 | 2300 | 2400 | 2500 | 2600 | 2700 | 2800 | 2900 | 3000 | 3100 | 3200 | 3300 | 3400 | 3500 | 3600 | 3700 | 3800 | 3900 | 4000 | 4100 |
| L    | 2055 | 2105 | 2155 | 2205 | 2255 | 2305 | 2355 | 2455 | 2555 | 2655 | 2755 | 2855 | 2955 | 3055 | 3155 | 3255 | 3355 | 3455 | 3555 | 3655 | 3755 | 3855 | 3955 | 4055 | 4155 | 4255 | 4355 | 4455 |
| A    | 100  | 150  | 200  | 50   | 100  | 150  | 200  | 100  | 200  | 100  | 200  | 100  | 200  | 100  | 200  | 100  | 200  | 100  | 200  | 100  | 200  | 100  | 200  | 100  | 200  | 100  | 200  | 100  |
| M    | 8    | 8    | 8    | 9    | 9    | 9    | 9    | 10   | 10   | 11   | 11   | 12   | 12   | 13   | 13   | 14   | 14   | 15   | 15   | 16   | 16   | 17   | 17   | 18   | 18   | 19   | 19   | 20   |
| N    | 24   | 24   | 24   | 26   | 26   | 26   | 26   | 28   | 28   | 30   | 30   | 32   | 32   | 34   | 34   | 36   | 36   | 38   | 38   | 40   | 40   | 42   | 42   | 44   | 44   | 46   | 46   | 48   |
| KG   | 38.5 | 39.3 | 40.1 | 40.9 | 41.7 | 42.5 | 43.3 | 44.9 | 46.5 | 48.1 | 49.7 | 51.3 | 52.9 | 54.5 | 56.1 | 57.7 | 59.3 | 60.9 | 62.5 | 64.1 | 65.7 | 67.3 | 68.9 | 70.5 | 72.1 | 73.7 | 75.3 | 76.9 |

注：以上不含电机重量。  
Note: Not including motor weight.

## 电机右折-R Motor Right Side



|      |      |      |      |      |      |      |      |      |      |      |      |      |      |      |      |      |      |      |      |      |      |      |      |      |      |      |      |      |
|------|------|------|------|------|------|------|------|------|------|------|------|------|------|------|------|------|------|------|------|------|------|------|------|------|------|------|------|------|
| 有效行程 | 300  | 350  | 400  | 450  | 500  | 550  | 600  | 650  | 700  | 750  | 800  | 850  | 900  | 950  | 1000 | 1050 | 1100 | 1150 | 1200 | 1250 | 1300 | 1350 | 1400 | 1450 | 1500 | 1550 | 1600 | 1650 |
| L    | 655  | 705  | 755  | 805  | 855  | 905  | 955  | 1005 | 1055 | 1105 | 1155 | 1205 | 1255 | 1305 | 1355 | 1405 | 1455 | 1505 | 1555 | 1605 | 1655 | 1705 | 1755 | 1805 | 1855 | 1905 | 1955 | 2005 |
| A    | 100  | 150  | 200  | 50   | 100  | 150  | 200  | 50   | 100  | 150  | 200  | 50   | 100  | 150  | 200  | 50   | 100  | 150  | 200  | 50   | 100  | 150  | 200  | 50   | 100  | 150  | 200  | 50   |
| M    | 1    | 1    | 1    | 2    | 2    | 2    | 2    | 3    | 3    | 3    | 3    | 4    | 4    | 4    | 4    | 5    | 5    | 5    | 5    | 6    | 6    | 6    | 6    | 7    | 7    | 7    | 7    | 8    |
| N    | 10   | 10   | 10   | 12   | 12   | 12   | 12   | 14   | 14   | 14   | 14   | 16   | 16   | 16   | 16   | 18   | 18   | 18   | 18   | 20   | 20   | 20   | 20   | 22   | 22   | 22   | 22   | 24   |
| KG   | 16.1 | 16.9 | 17.7 | 18.5 | 19.3 | 20.1 | 20.9 | 21.7 | 22.5 | 23.3 | 24.1 | 24.9 | 25.7 | 26.5 | 27.3 | 28.1 | 28.9 | 29.7 | 30.5 | 31.3 | 32.1 | 32.9 | 33.7 | 34.5 | 35.3 | 36.1 | 36.9 | 37.7 |
| 有效行程 | 1700 | 1750 | 1800 | 1850 | 1900 | 1950 | 2000 | 2100 | 2200 | 2300 | 2400 | 2500 | 2600 | 2700 | 2800 | 2900 | 3000 | 3100 | 3200 | 3300 | 3400 | 3500 | 3600 | 3700 | 3800 | 3900 | 4000 | 4100 |
| L    | 2055 | 2105 | 2155 | 2205 | 2255 | 2305 | 2355 | 2455 | 2555 | 2655 | 2755 | 2855 | 2955 | 3055 | 3155 | 3255 | 3355 | 3455 | 3555 | 3655 | 3755 | 3855 | 3955 | 4055 | 4155 | 4255 | 4355 | 4455 |
| A    | 100  | 150  | 200  | 50   | 100  | 150  | 200  | 100  | 200  | 100  | 200  | 100  | 200  | 100  | 200  | 100  | 200  | 100  | 200  | 100  | 200  | 100  | 200  | 100  | 200  | 100  | 200  | 100  |
| M    | 8    | 8    | 8    | 9    | 9    | 9    | 9    | 10   | 10   | 11   | 11   | 12   | 12   | 13   | 13   | 14   | 14   | 15   | 15   | 16   | 16   | 17   | 17   | 18   | 18   | 19   | 19   | 20   |
| N    | 24   | 24   | 24   | 26   | 26   | 26   | 26   | 28   | 28   | 30   | 30   | 32   | 32   | 34   | 34   | 36   | 36   | 38   | 38   | 40   | 40   | 42   | 42   | 44   | 44   | 46   | 46   | 48   |
| KG   | 38.5 | 39.3 | 40.1 | 40.9 | 41.7 | 42.5 | 43.3 | 44.9 | 46.5 | 48.1 | 49.7 | 51.3 | 52.9 | 54.5 | 56.1 | 57.7 | 59.3 | 60.9 | 62.5 | 64.1 | 65.7 | 67.3 | 68.9 | 70.5 | 72.1 | 73.7 | 75.3 | 76.9 |

注：以上不含电机重量。  
Note: Not including motor weight.