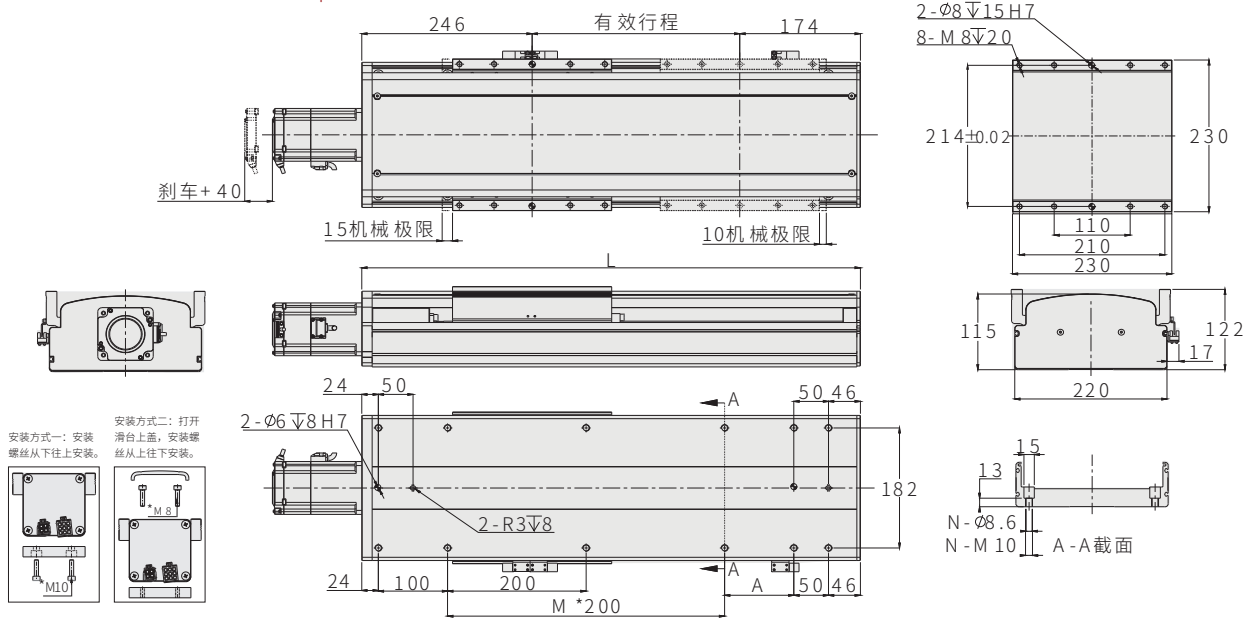




扫码直连客服

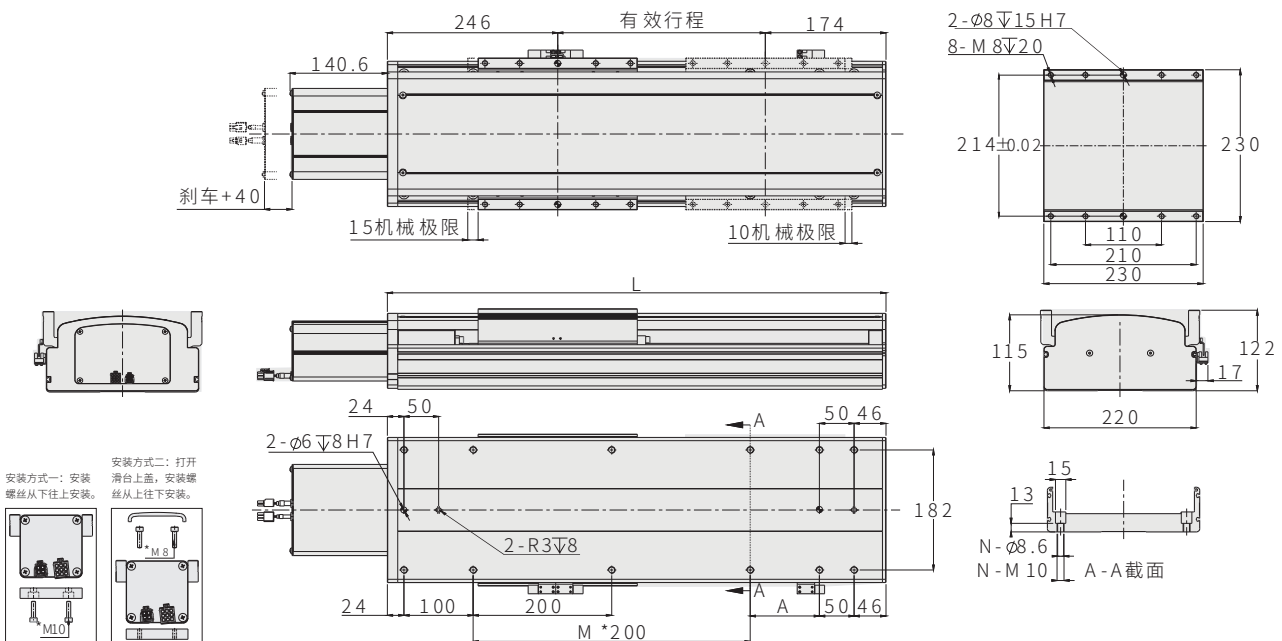
## 电机直连外置-BC Motor Exposed



有效行程	50	100	150	200	250	300	350	400	450	500	550	600	650	700	750	800	850	900	950	1000	1050	1100	1150	1200	1250	1300	1350	1400	1450	1500	1550	1600
L	470	520	570	620	670	720	770	820	870	920	970	1020	1070	1120	1170	1220	1270	1320	1370	1420	1470	1520	1570	1620	1670	1720	1770	1820	1870	1920	1970	2020
A	50	100	150	200	50	100	150	200	50	100	150	200	50	100	150	200	50	100	150	200	50	100	150	200	50	100	150	200	50	100	150	200
M	1	1	1	1	2	2	2	2	3	3	3	3	4	4	4	4	5	5	5	5	6	6	6	6	6	7	7	7	7	8	8	8
N	10	10	10	10	12	12	12	12	14	14	14	14	16	16	16	16	18	18	18	18	20	20	20	20	22	22	22	22	24	24	24	24
KG	25.4	26.8	28.3	29.8	31.2	32.7	34.2	35.6	37.1	38.5	40.0	41.5	42.9	44.4	45.8	47.3	48.8	50.2	51.7	53.1	54.6	56.1	57.5	59.0	60.4	61.9	63.4	64.8	66.3	67.7	69.2	70.6

注：以上不含电机重量。  
Note: Not including motor weight.

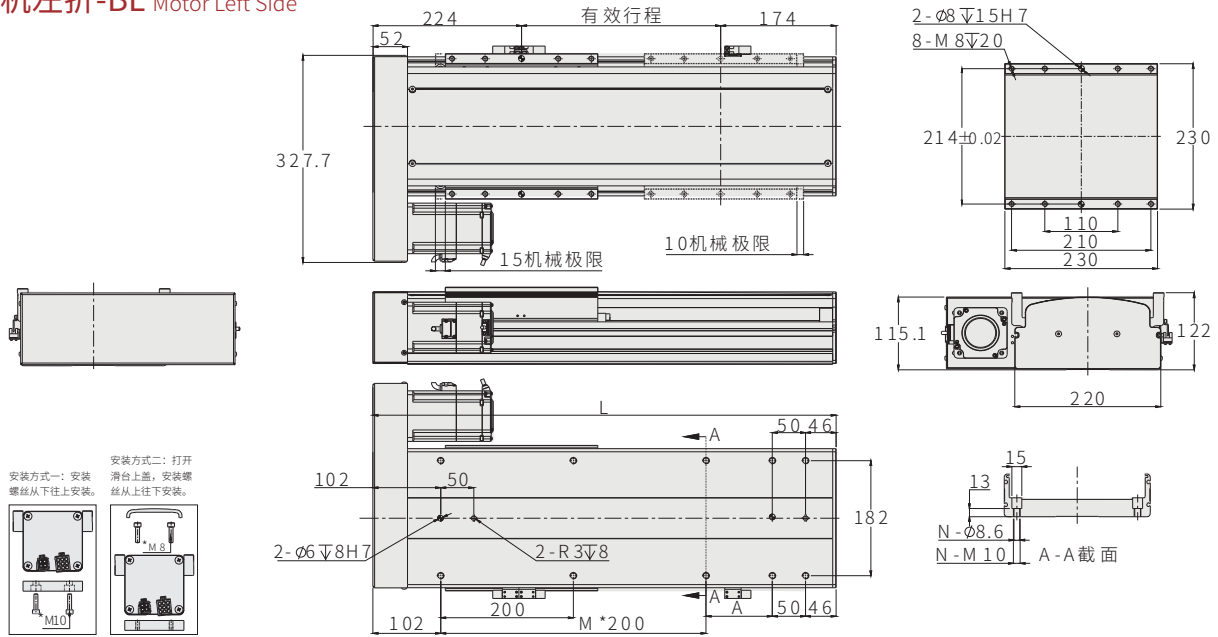
## 电机直连内置-M Motor Built-in



有效行程	50	100	150	200	250	300	350	400	450	500	550	600	650	700	750	800	850	900	950	1000	1050	1100	1150	1200	1250	1300	1350	1400	1450	1500	1550	1600
L	470	520	570	620	670	720	770	820	870	920	970	1020	1070	1120	1170	1220	1270	1320	1370	1420	1470	1520	1570	1620	1670	1720	1770	1820	1870	1920	1970	2020
A	50	100	150	200	50	100	150	200	50	100	150	200	50	100	150	200	50	100	150	200	50	100	150	200	50	100	150	200	50	100	150	200
M	1	1	1	1	2	2	2	2	3	3	3	3	4	4	4	4	5	5	5	5	6	6	6	6	6	7	7	7	7	8	8	8
N	10	10	10	10	12	12	12	12	14	14	14	14	16	16	16	16	18	18	18	18	20	20	20	20	22	22	22	22	24	24	24	24
KG	25.7	27.1	28.6	31.2	31.5	33.0	34.5	35.9	37.4	38.8	40.3	41.8	43.2	44.7	46.1	47.6	49.1	50.5	52.0	53.4	54.9	56.4	57.8	59.3	60.7	62.2	63.7	65.1	66.6	68.0	69.5	70.9

注：以上不含电机重量。  
Note: Not including motor weight.

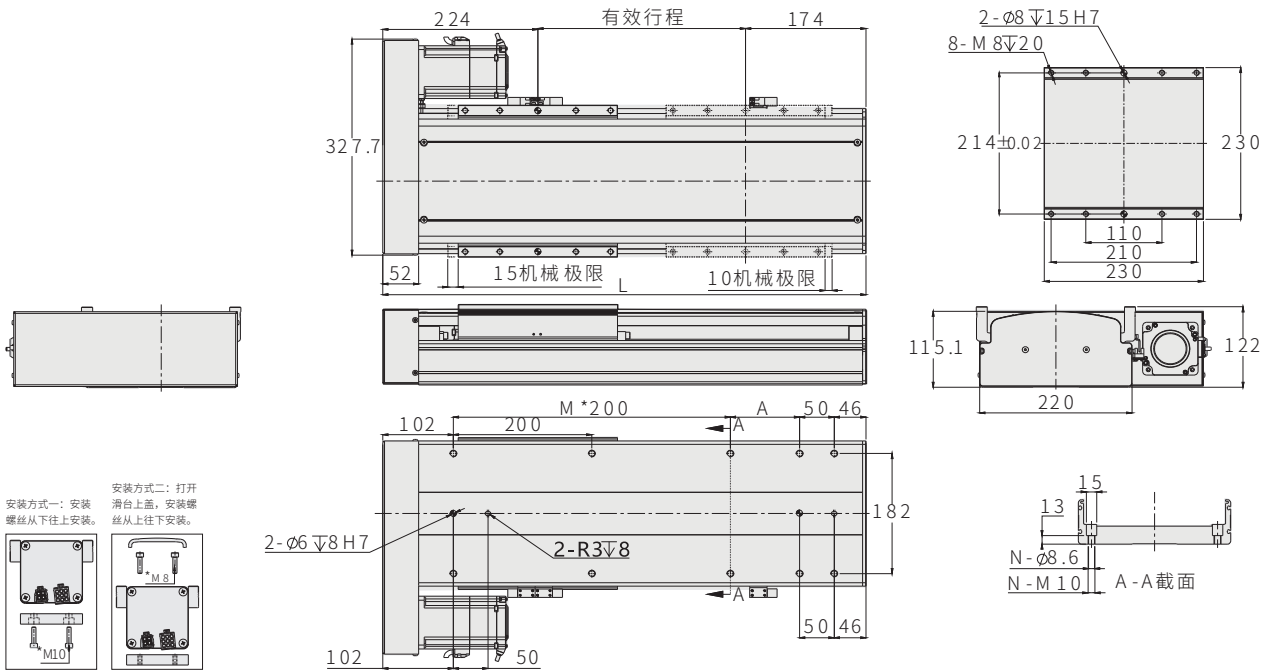
### 电机左折-BL Motor Left Side



有效行程	50	100	150	200	250	300	350	400	450	500	550	600	650	700	750	800	850	900	950	1000	1050	1100	1150	1200	1250	1300	1350	1400	1450	1500	1550	1600	
L	448	498	548	598	648	698	748	798	848	898	948	998	1048	1098	1148	1198	1248	1298	1348	1398	1448	1498	1548	1598	1648	1698	1748	1798	1848	1898	1948	1998	
A	50	100	150	200	50	100	150	200	50	100	150	200	50	100	150	200	50	100	150	200	50	100	150	200	50	100	150	200	50	100	150	200	
M	1	1	1	1	2	2	2	2	2	3	3	3	3	4	4	4	5	5	5	5	6	6	6	6	7	7	7	7	8	8	8	8	
N	8	8	8	8	10	10	10	10	10	12	12	12	12	14	14	14	14	16	16	16	16	18	18	18	18	20	20	20	20	22	22	22	22
KG	24.4	25.8	27.3	28.8	30.2	31.7	33.2	34.6	36.1	37.5	39.0	40.5	41.9	43.4	44.8	46.3	47.8	49.2	50.7	52.1	53.6	55.1	56.5	58.0	59.4	60.9	62.4	63.8	65.3	66.7	68.2	69.6	

注：以上不含电机重量。  
Note: Not including motor weight.

### 电机右折-BR Motor Right Side

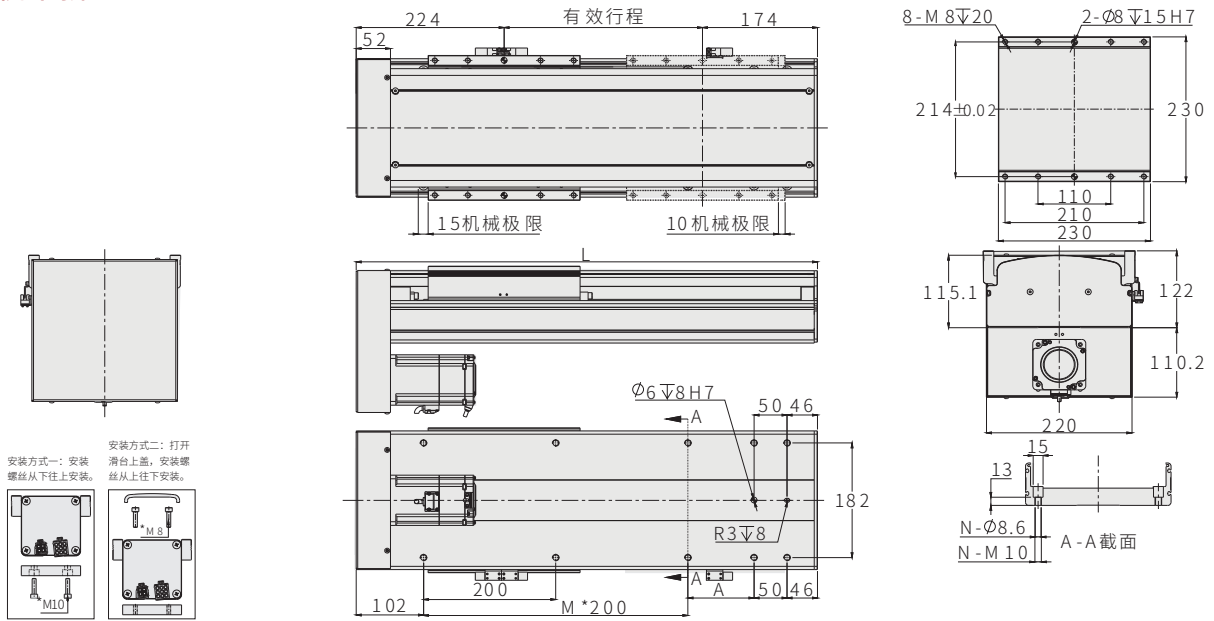


有效行程	50	100	150	200	250	300	350	400	450	500	550	600	650	700	750	800	850	900	950	1000	1050	1100	1150	1200	1250	1300	1350	1400	1450	1500	1550	1600	
L	448	498	548	598	648	698	748	798	848	898	948	998	1048	1098	1148	1198	1248	1298	1348	1398	1448	1498	1548	1598	1648	1698	1748	1798	1848	1898	1948	1998	
A	50	100	150	200	50	100	150	200	50	100	150	200	50	100	150	200	50	100	150	200	50	100	150	200	50	100	150	200	50	100	150	200	
M	1	1	1	1	2	2	2	2	2	3	3	3	3	4	4	4	5	5	5	5	6	6	6	6	7	7	7	7	8	8	8	8	
N	8	8	8	8	10	10	10	10	10	12	12	12	12	14	14	14	14	16	16	16	16	18	18	18	18	20	20	20	20	22	22	22	22
KG	24.4	25.8	27.3	28.8	30.2	31.7	33.2	34.6	36.1	37.5	39.0	40.5	41.9	43.4	44.8	46.3	47.8	49.2	50.7	52.1	53.6	55.1	56.5	58.0	59.4	60.9	62.4	63.8	65.3	66.7	68.2	69.6	

注：以上不含电机重量。  
Note: Not including motor weight.



## 电机下折-BD Motor Bottom Side



有效行程	50	100	150	200	250	300	350	400	450	500	550	600	650	700	750	800	850	900	950	1000	1050	1100	1150	1200	1250	1300	1350	1400	1450	1500	1550	1600
L	448	498	548	598	648	698	748	798	848	898	948	998	1048	1098	1148	1198	1248	1298	1348	1398	1448	1498	1548	1598	1648	1698	1748	1798	1848	1898	1948	1998
A	50	100	150	200	50	100	150	200	50	100	150	200	50	100	150	200	50	100	150	200	50	100	150	200	50	100	150	200	50	100	150	200
M	1	1	1	1	2	2	2	2	3	3	3	3	4	4	4	4	5	5	5	5	6	6	6	6	7	7	7	7	8	8	8	8
N	8	8	8	8	10	10	10	10	12	12	12	12	14	14	14	14	16	16	16	16	18	18	18	18	20	20	20	20	22	22	22	22
KG	24.4	25.8	27.3	28.8	30.2	31.7	33.2	34.6	36.1	37.5	39.0	40.5	41.9	43.4	44.8	46.3	47.8	49.2	50.7	52.1	53.6	55.1	56.5	58.0	59.4	60.9	62.4	63.8	65.3	66.7	68.2	69.6

注：以上不含电机重量。  
Note: Not including motor weight.